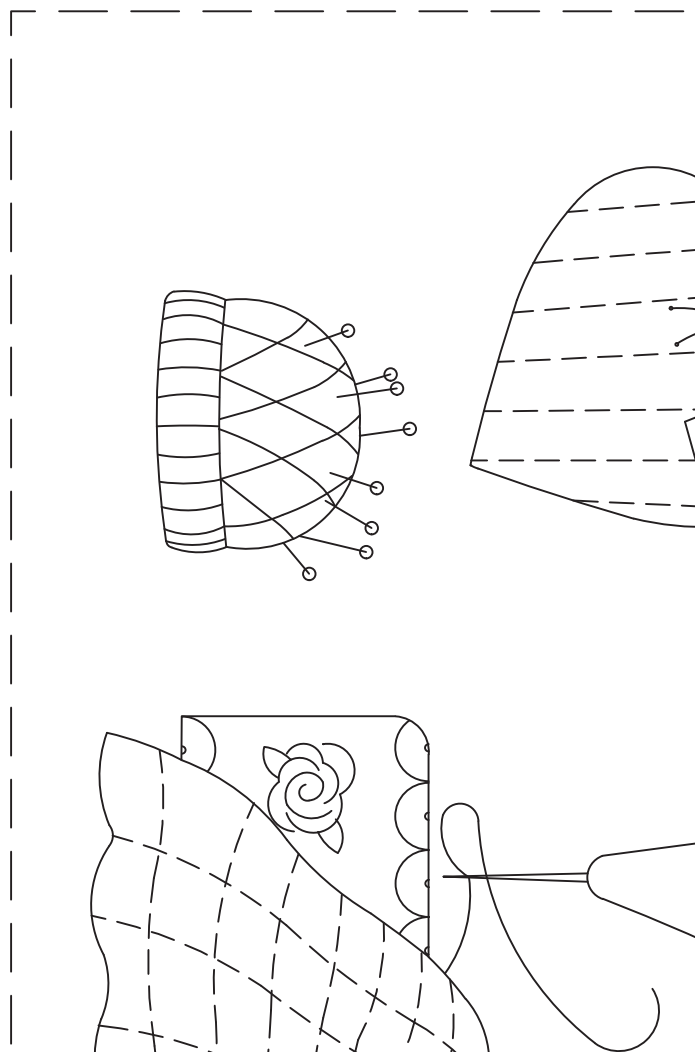
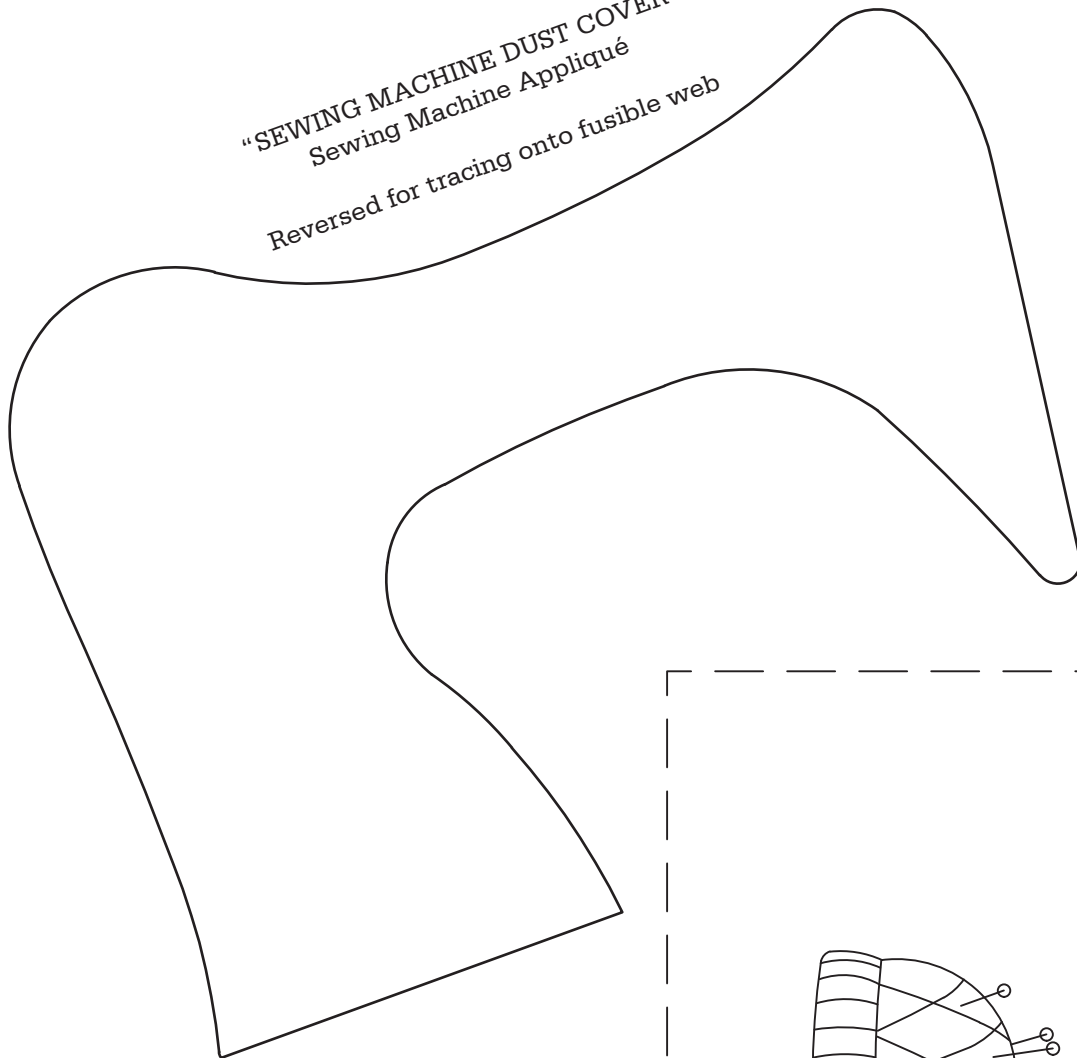


Print your chosen design/templates from the *Homespun* website. Before printing, check the Print dialog box – it is important that in the field next to the words “Page Scaling” you have selected “None” to ensure your design/templates print out at 100%.

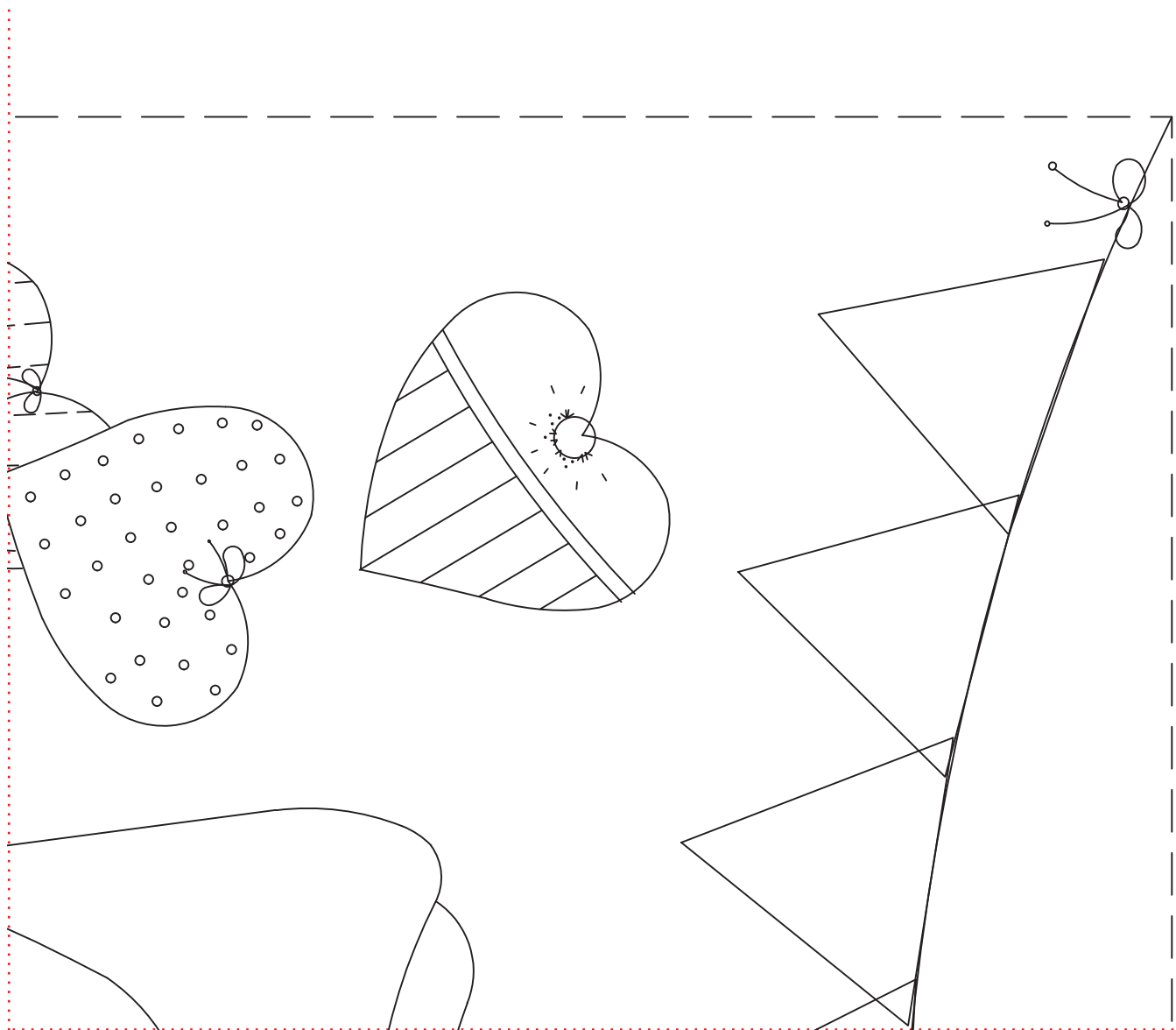
“SEWING MACHINE DUST COVER”
Sewing Machine Appliqué
Reversed for tracing onto fusible web



Join to SEWING MACHINE DUST COVER 2

Print your chosen design/templates from the *Homespun* website. Before printing, check the Print dialog box – it is important that in the field next to the words “Page Scaling” you have selected “None” to ensure your design/templates print out at 100%.

Join to SEWING MACHINE DUST COVER 1

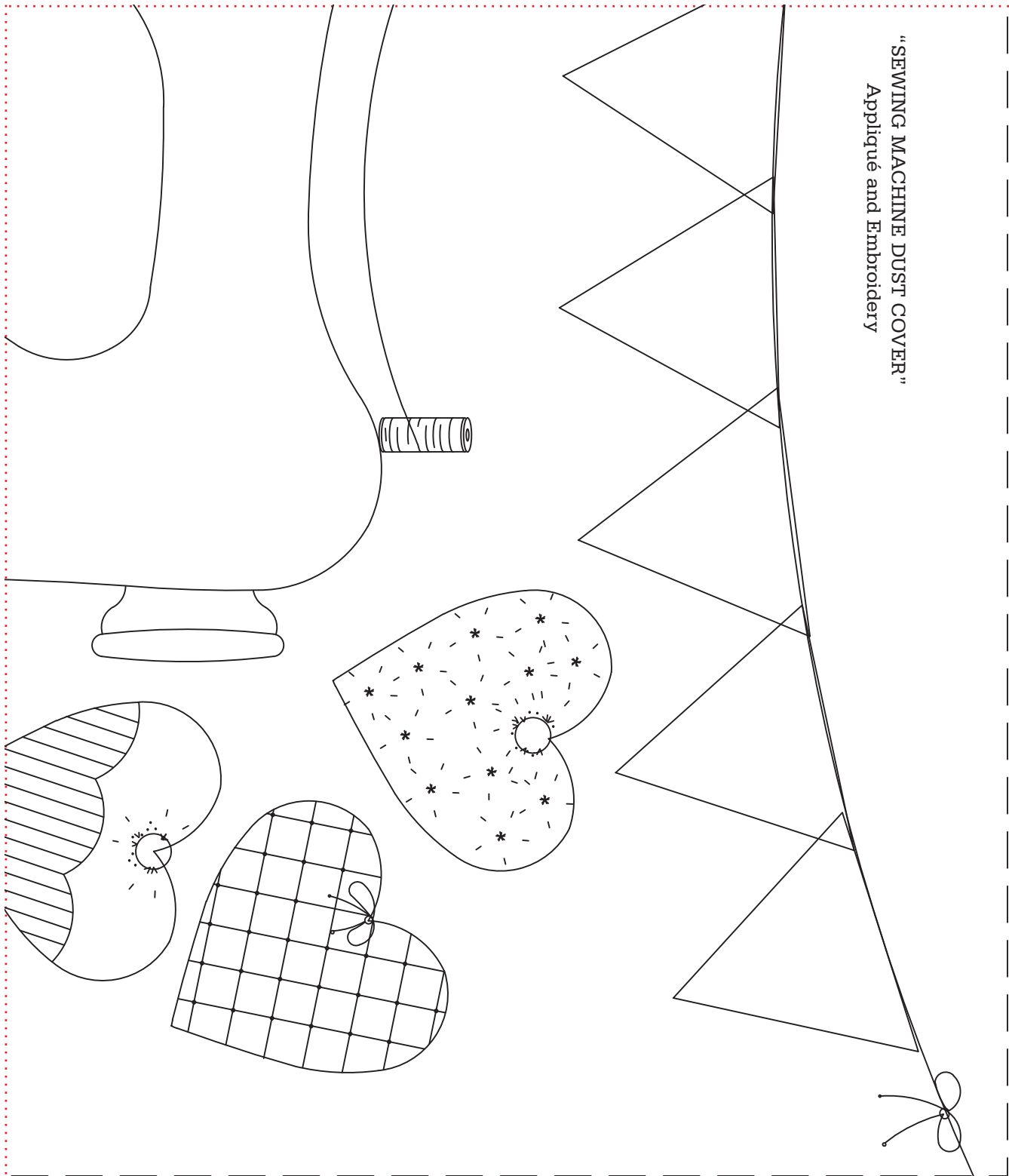


Join to SEWING MACHINE DUST COVER 3

Print your chosen design/templates from the *Homespun* website. Before printing, check the Print dialog box – it is important that in the field next to the words “Page Scaling” you have selected “None” to ensure your design/templates print out at 100%.

Join to SEWING MACHINE DUST COVER 2

“SEWING MACHINE DUST COVER”
Appliqué and Embroidery



Join to SEWING MACHINE DUST COVER 4

Print your chosen design/templates from the *Homespun* website. Before printing, check the Print dialog box – it is important that in the field next to the words “Page Scaling” you have selected “None” to ensure your design/templates print out at 100%.

Join to SEWING MACHINE DUST COVER 1

