

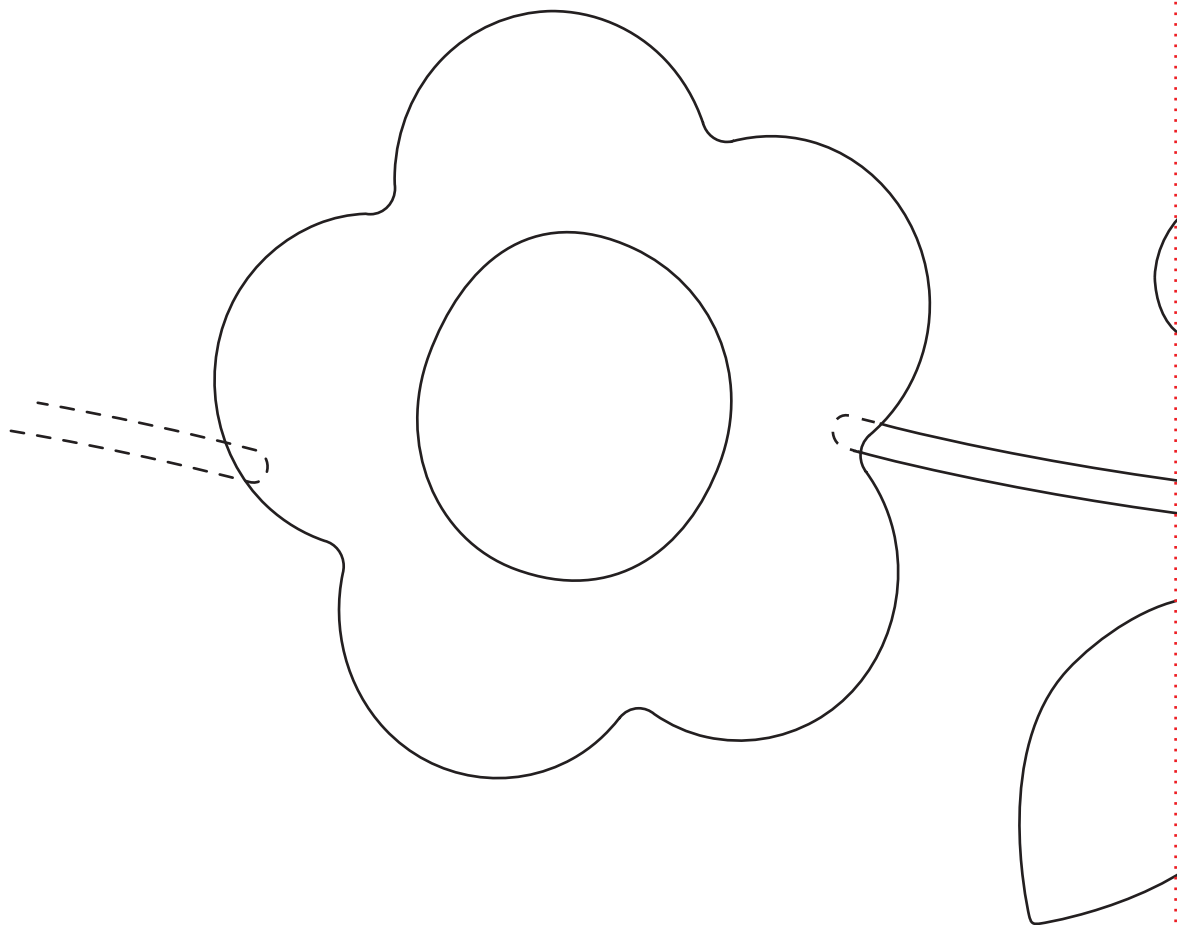
Print your chosen design/templates from the *Homespun* website. Before printing, check the Print dialog box – it is important that in the field next to the words “Page Scaling” you have selected “None” to ensure your design/templates print out at 100%.

your heart in your hands
Homespun

Copyright Universal Magazines
Homespun Vol.21 No.6 Issue 199

QUILTERS HOLIDAY

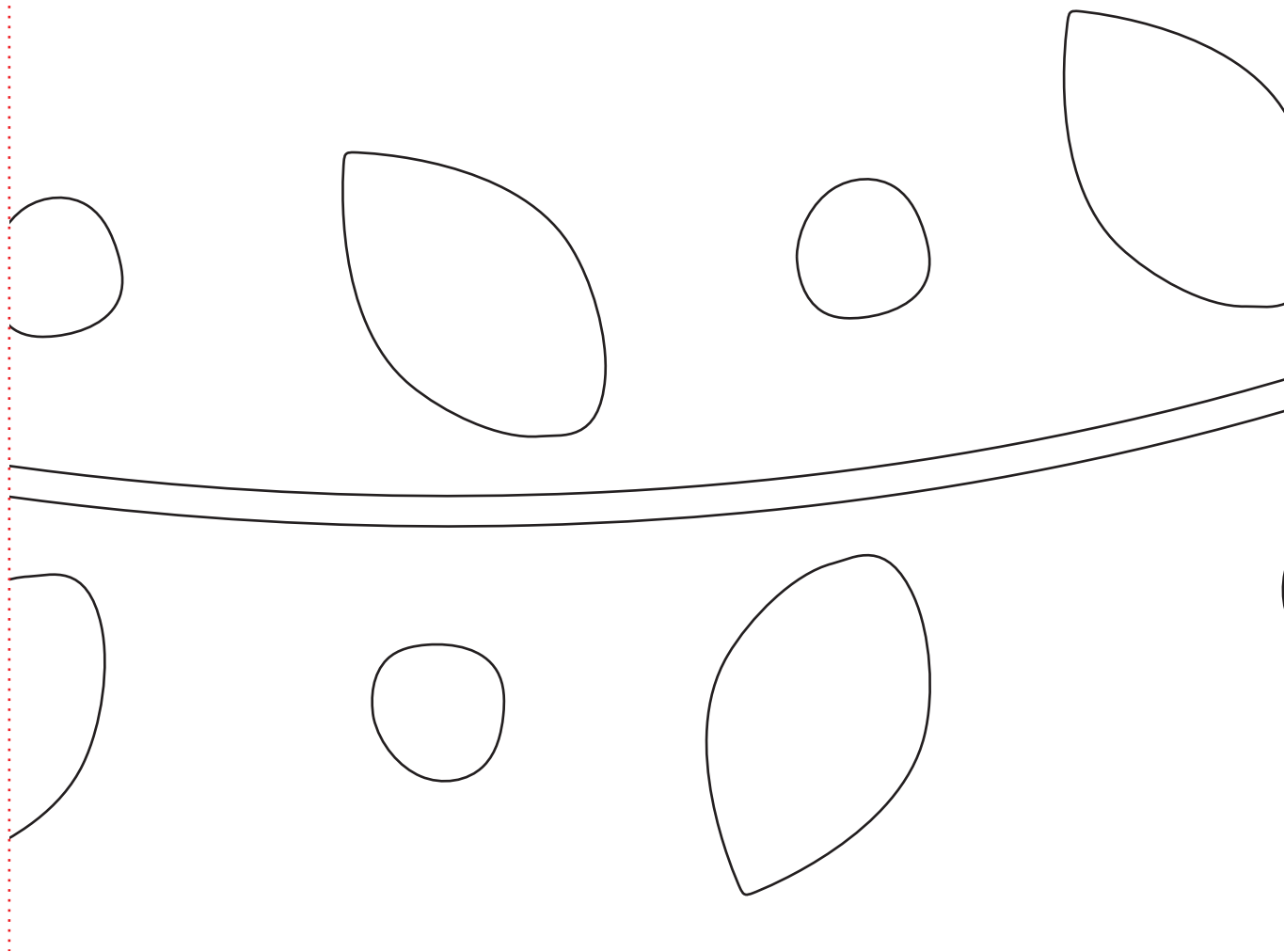
1



Join to **QUILTERS HOLIDAY 2**

Print your chosen design/templates from the *Homespun* website. Before printing, check the Print dialog box – it is important that in the field next to the words “Page Scaling” you have selected “None” to ensure your design/templates print out at 100%.

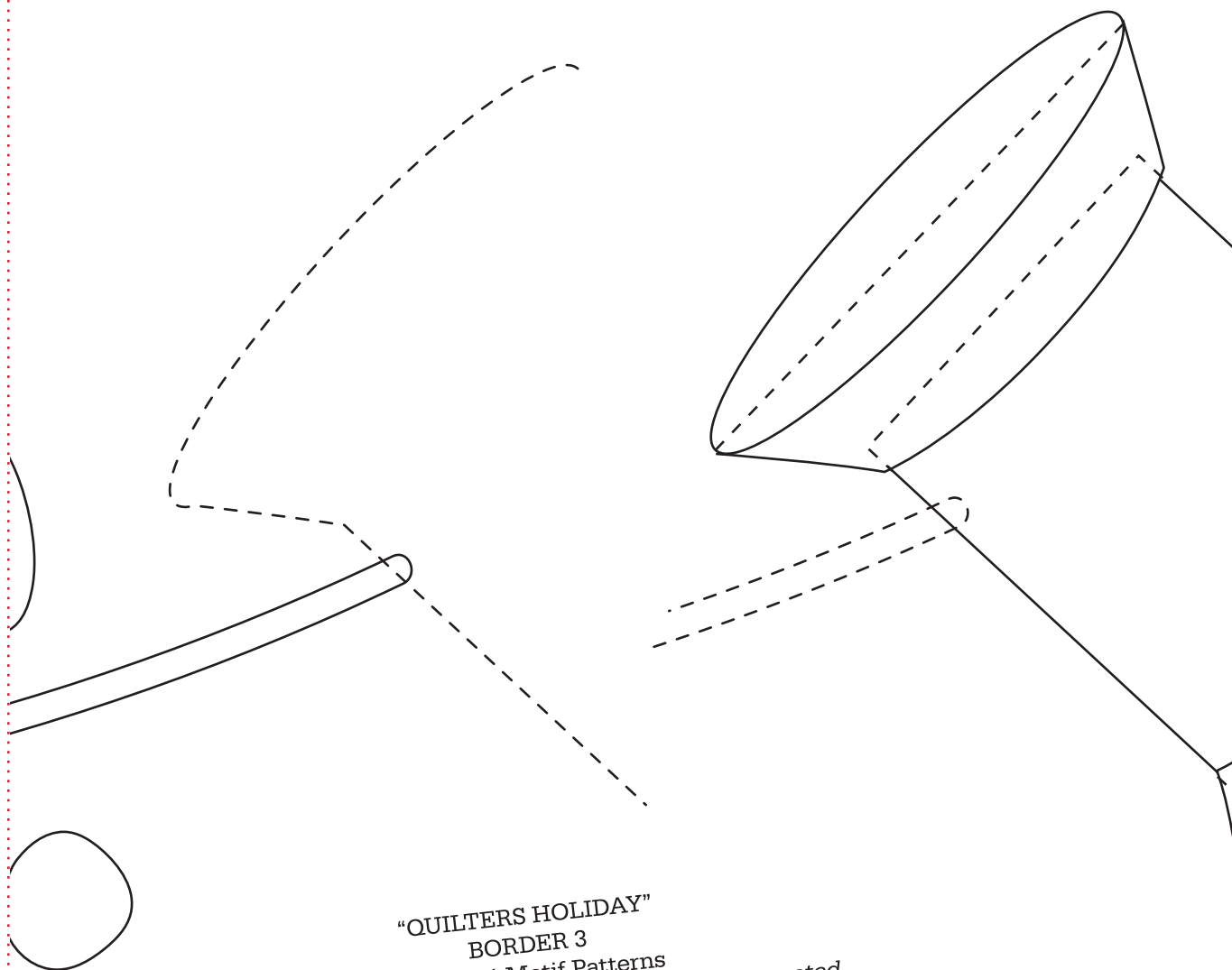
Join to QUILTERS HOLIDAY 1



Join to QUILTERS HOLIDAY 3

Print your chosen design/templates from the *Homespun* website. Before printing, check the Print dialog box – it is important that in the field next to the words “Page Scaling” you have selected “None” to ensure your design/templates print out at 100%.

Join to QUILTERS HOLIDAY 2

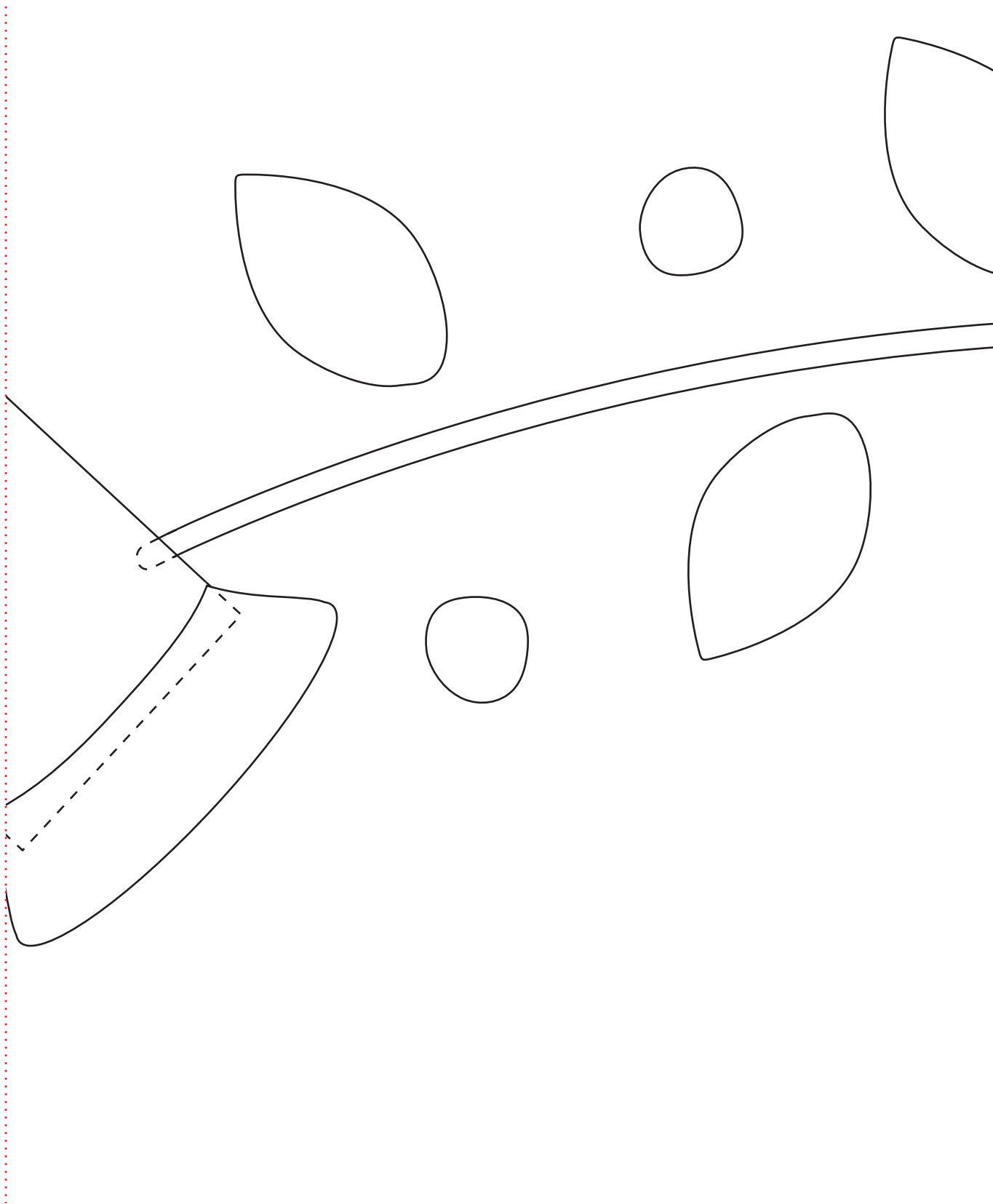


Join to QUILTERS HOLIDAY 4

**“QUILTERS HOLIDAY”
BORDER 3**
Appliqué Motif Patterns
Patterns are shown in two sections, which are repeated
alternately along the garland. The patterns are reversed,
ready for use.

Print your chosen design/templates from the *Homespun* website. Before printing, check the Print dialog box – it is important that in the field next to the words “Page Scaling” you have selected “None” to ensure your design/templates print out at 100%.

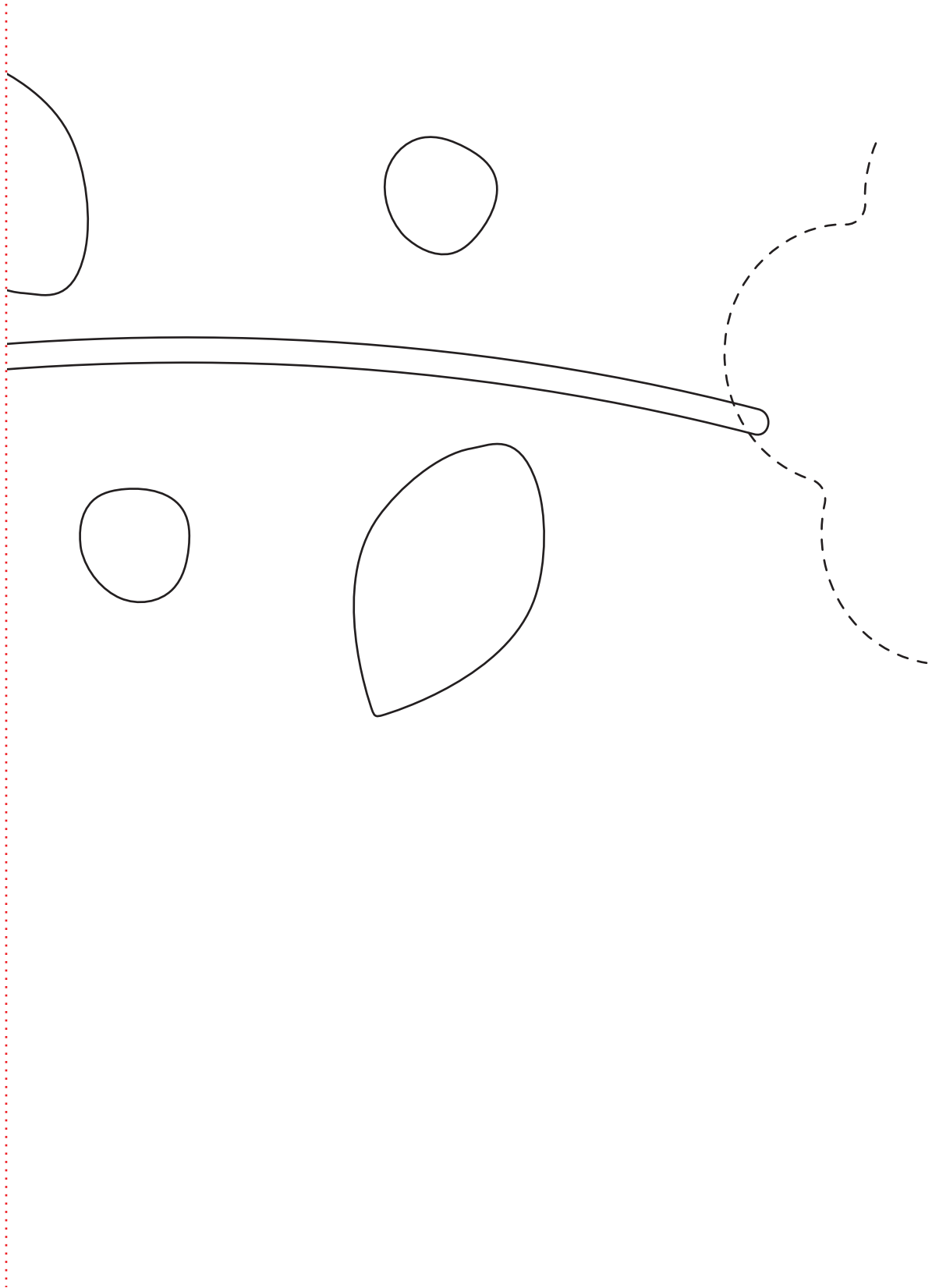
Join to QUILTERS HOLIDAY 3



Join to QUILTERS HOLIDAY 5

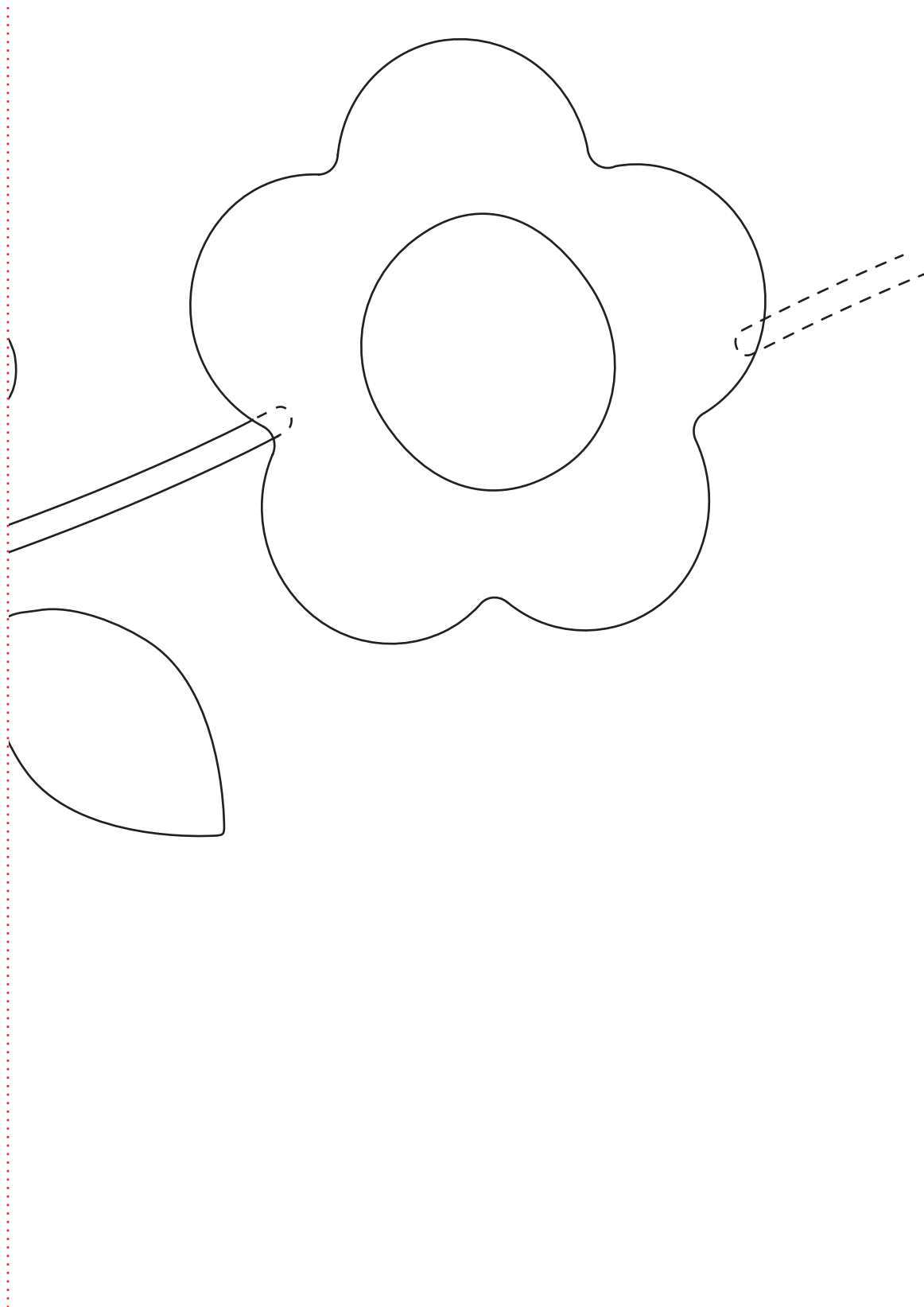
Print your chosen design/templates from the *Homespun* website. Before printing, check the Print dialog box – it is important that in the field next to the words “Page Scaling” you have selected “None” to ensure your design/templates print out at 100%.

Join to **QUILTERS HOLIDAY 4**



Print your chosen design/templates from the *Homespun* website. Before printing, check the Print dialog box – it is important that in the field next to the words “Page Scaling” you have selected “None” to ensure your design/templates print out at 100%.

Join to QUILTERS HOLIDAY 7



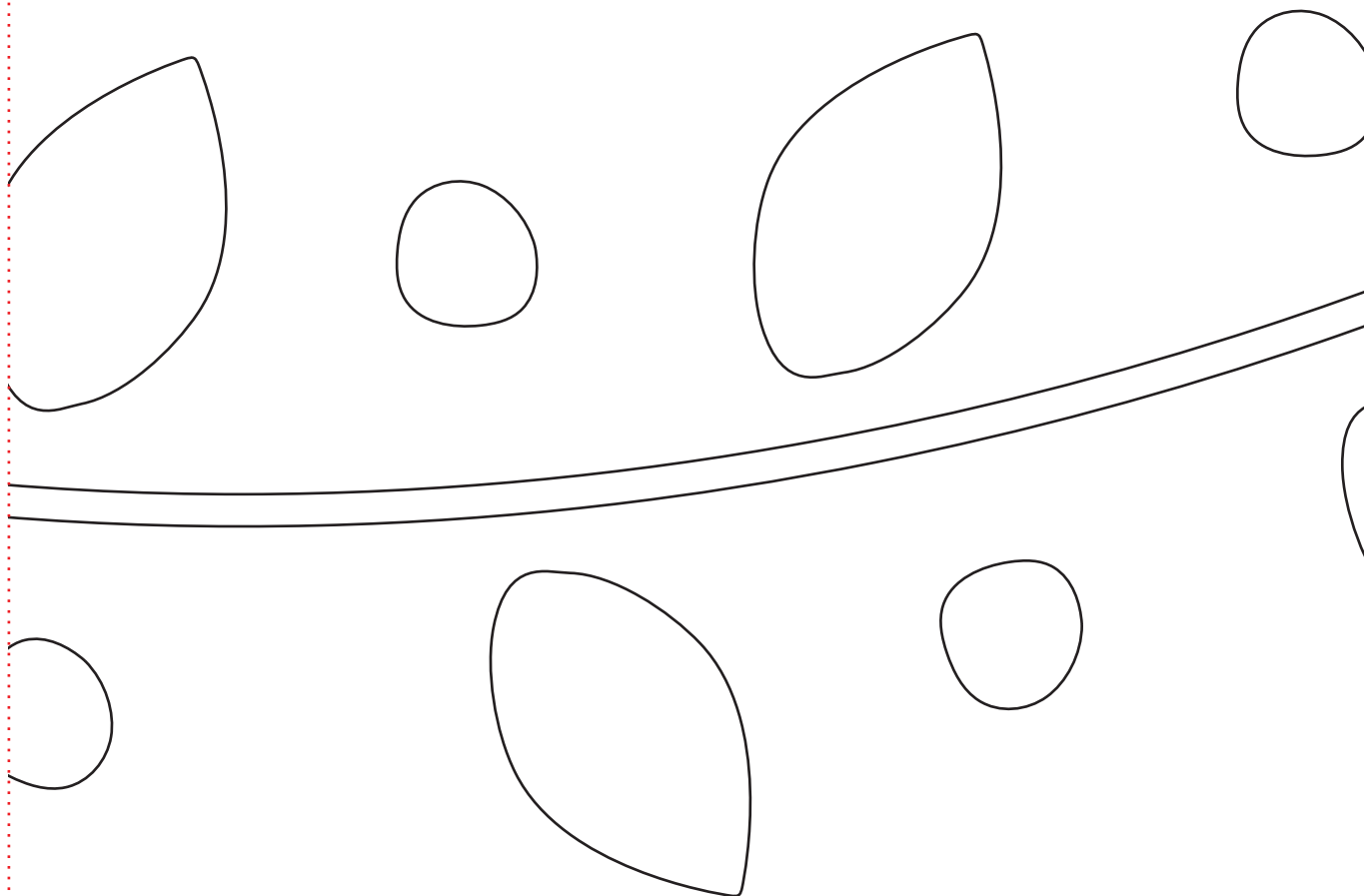
Print your chosen design/templates from the *Homespun* website. Before printing, check the Print dialog box – it is important that in the field next to the words “Page Scaling” you have selected “None” to ensure your design/templates print out at 100%.

“QUILTERS HOLIDAY”
BORDER 4

Appliqué Motif Patterns

Patterns are shown in two sections, which are repeated alternately along the garland. The patterns are reversed, ready for use.

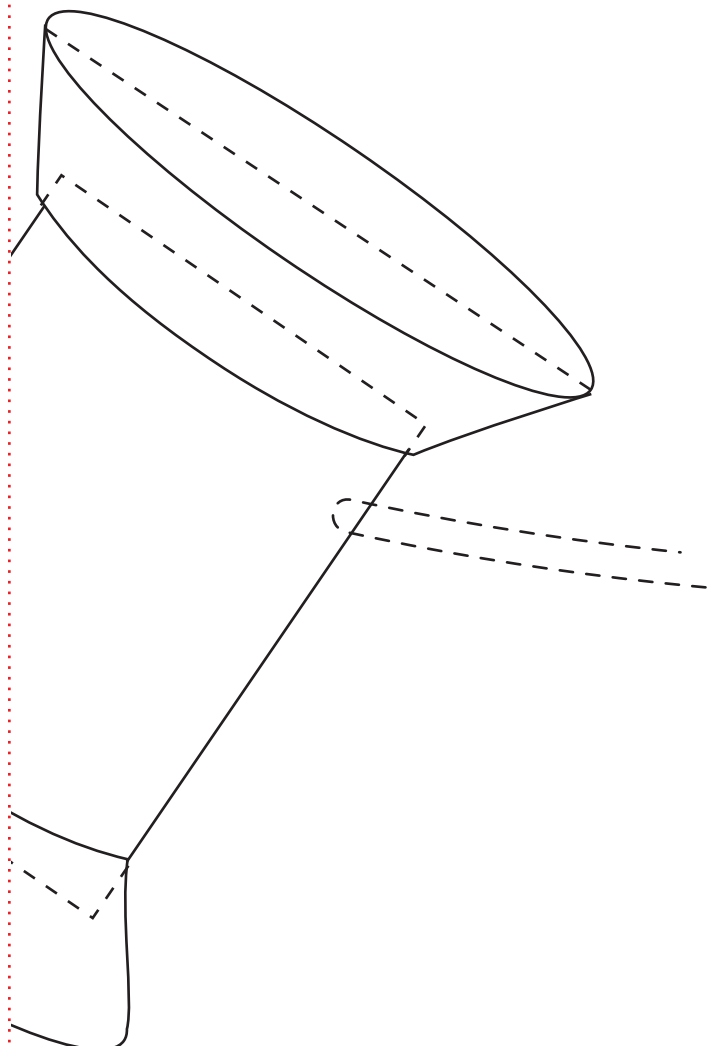
Join to QUILTERS HOLIDAY 8



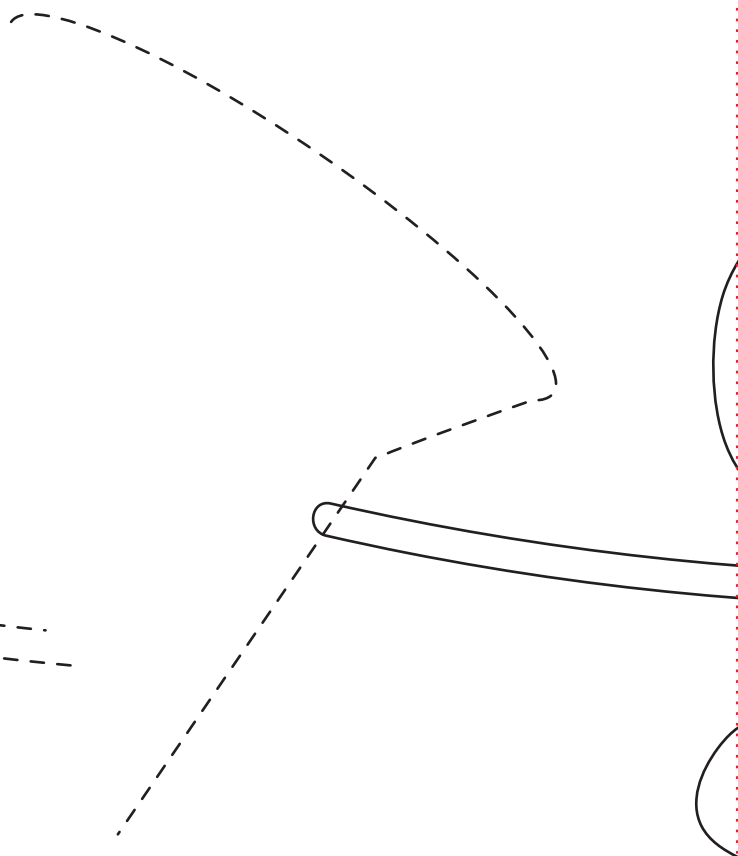
Join to QUILTERS HOLIDAY 6

Print your chosen design/templates from the *Homespun* website. Before printing, check the Print dialog box – it is important that in the field next to the words “Page Scaling” you have selected “None” to ensure your design/templates print out at 100%.

Join to QUILTERS HOLIDAY 9

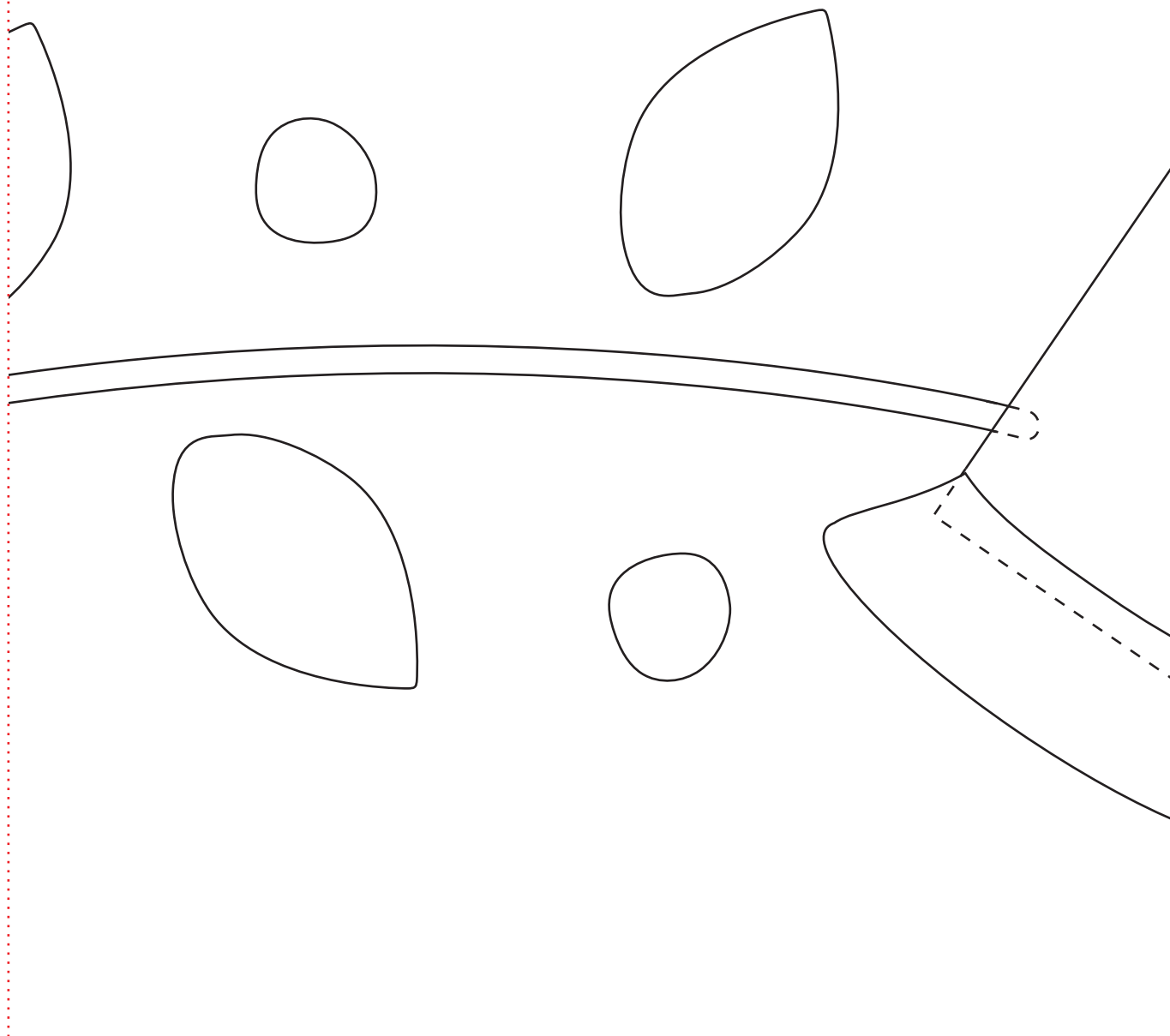


Join to QUILTERS HOLIDAY 7



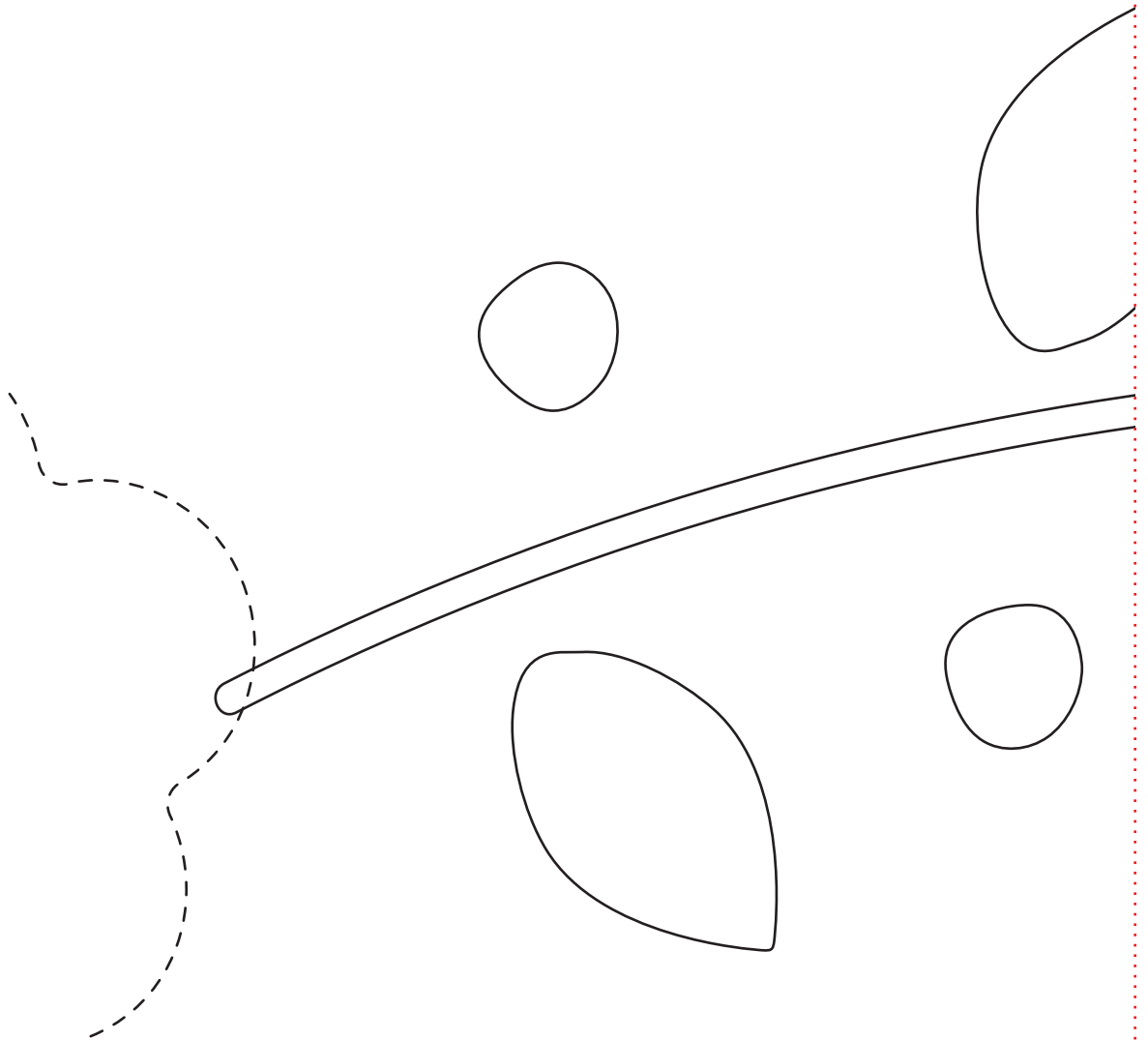
Print your chosen design/templates from the *Homespun* website. Before printing, check the Print dialog box – it is important that in the field next to the words “Page Scaling” you have selected “None” to ensure your design/templates print out at 100%.

Join to QUILTERS HOLIDAY 10



Join to QUILTERS HOLIDAY 8

Print your chosen design/templates from the *Homespun* website. Before printing, check the Print dialog box – it is important that in the field next to the words “Page Scaling” you have selected “None” to ensure your design/templates print out at 100%.



Join to **QUILTERS HOLIDAY 9**